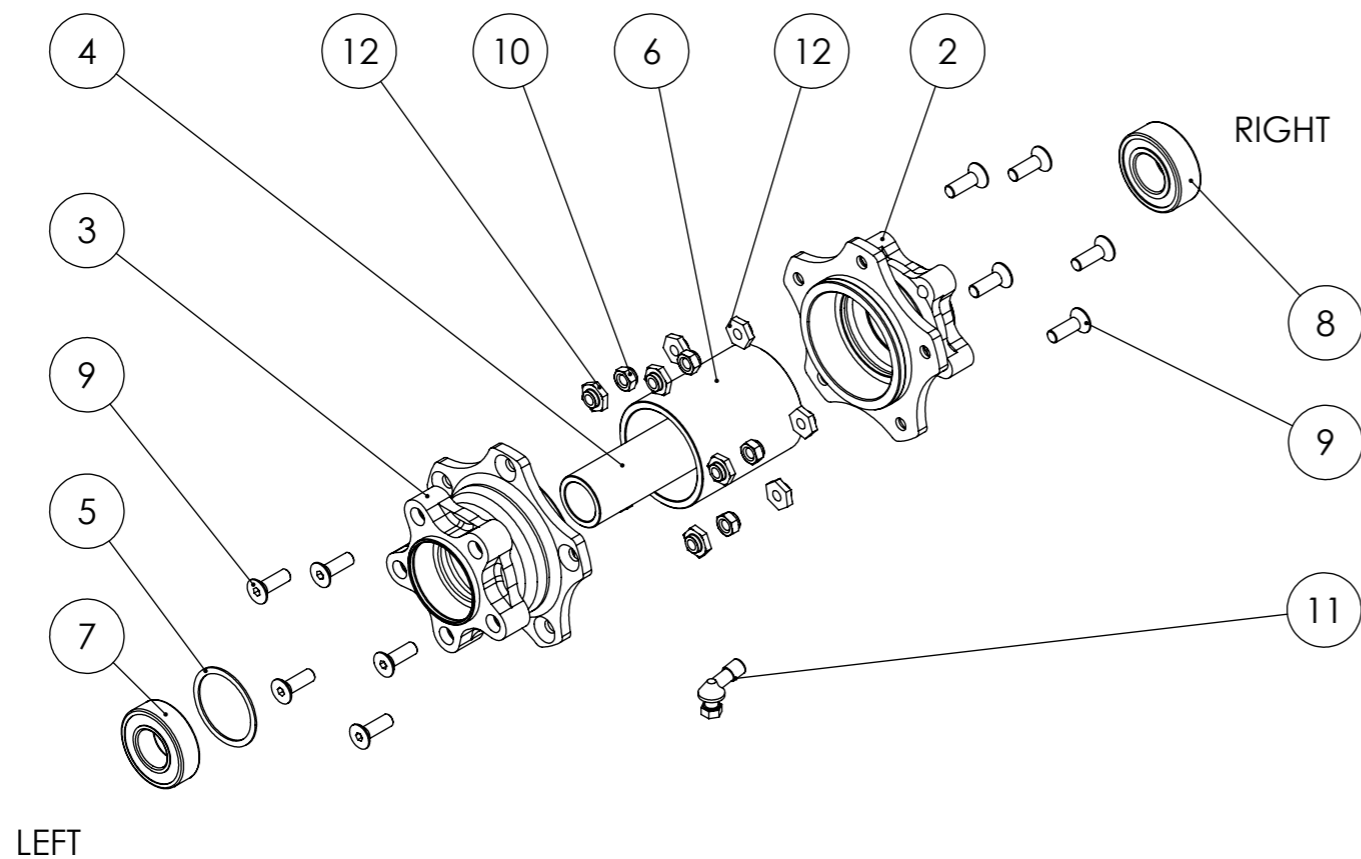


A-A (1 : 2.5)



 <p>BST blackstone TEK</p>	<p>Brock's Performance 4064 E Patterson Rd Beavercreek, OH 45430 TEL : 937-912-0054 FAX: 937-912--0062</p>
	<p>DESCRIPTION</p> <p>HD Street Bob CRW Assembly</p>
<p>DRAWING NO:</p> <p>33017-8000-16-000-A</p>	